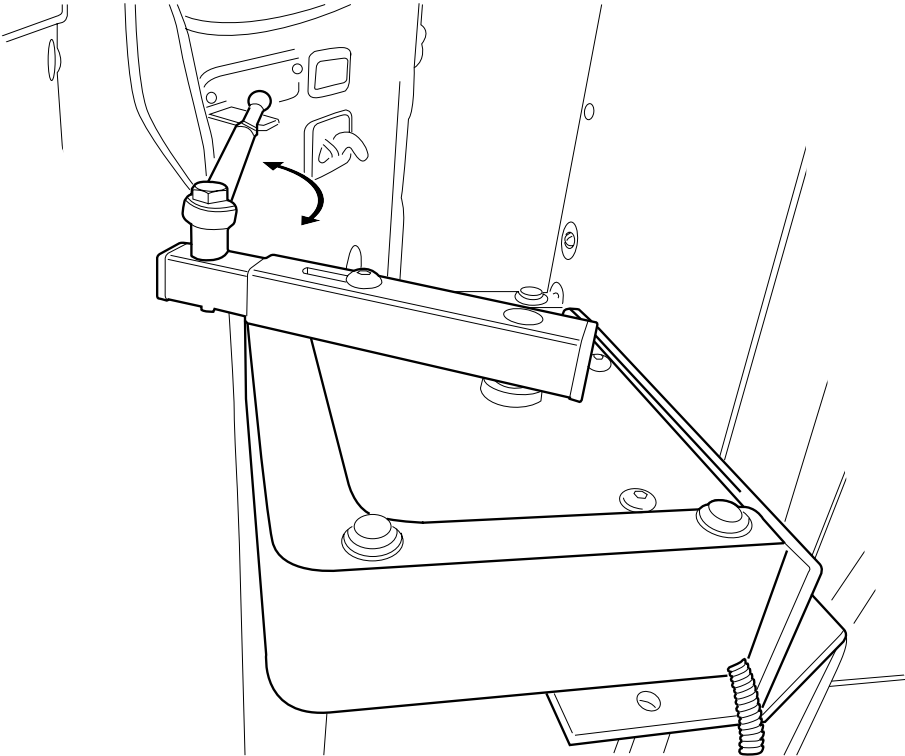




mobilityRDO™

REAR DOOR OPENER



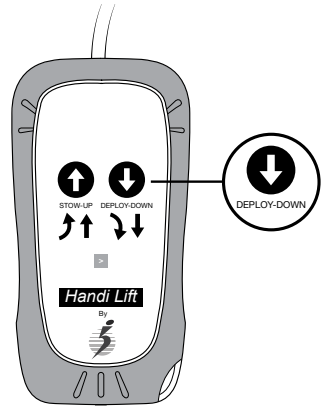
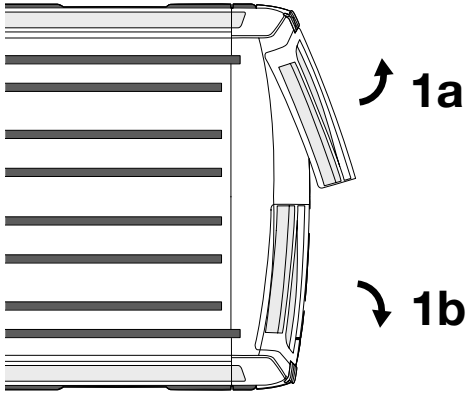
User guide

Opening

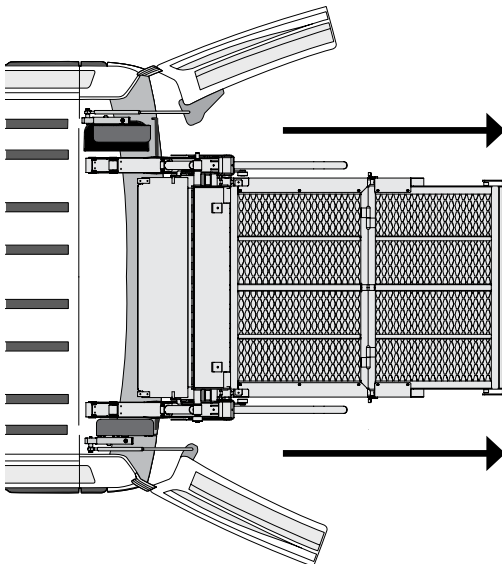
1. Press and hold the button  to open the rear doors.



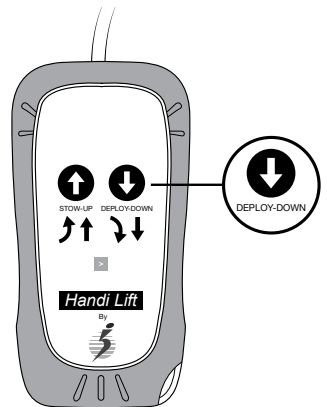
WARNING: Keep a safe distance when operating the RDO and lift!



2. Continue pressing the button  to activate the wheelchair lift.




2

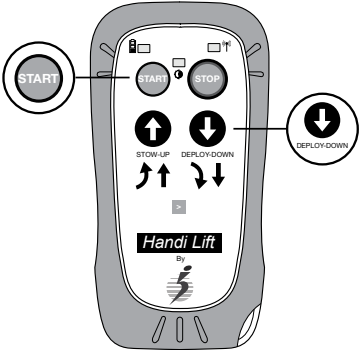
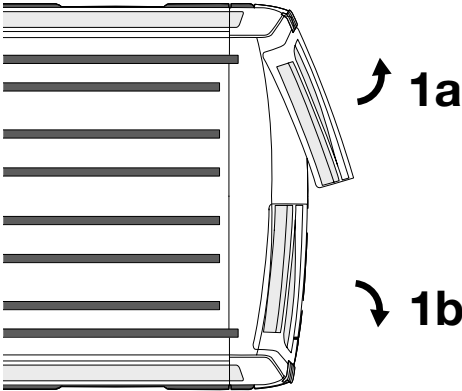



User guide for wireless control

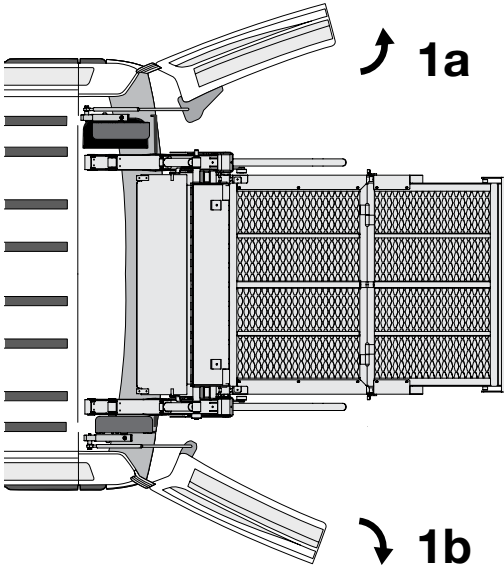
Opening

- 1. Press the button  to activate the RDO.
- 2. Press and hold the button  to open the rear doors.

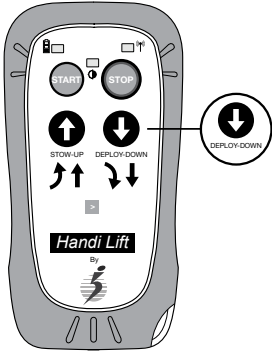
 **WARNING:** Keep a safe distance when operating the RDO and lift!



- 2. Continue pressing the button  until the vehicle doors are fully open and the wheelchair lift is completely unfolded.



2





mobilityRDO[™]
REAR DOOR OPENER

M  **bility**
NETWORKS
VEHICLE ACCESSIBILITY SOLUTIONS

The logo features the word 'Mobility' in a bold, dark blue font. The letter 'M' is significantly larger than the other letters. The 'O' in 'bility' is replaced by a circular icon containing a stylized arrow that curves around a central dot. Below 'Mobility' is the word 'NETWORKS' in a smaller, all-caps, dark blue font. At the bottom of the logo is the phrase 'VEHICLE ACCESSIBILITY SOLUTIONS' in a dark blue, all-caps font.